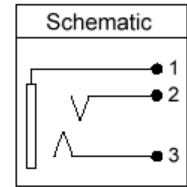
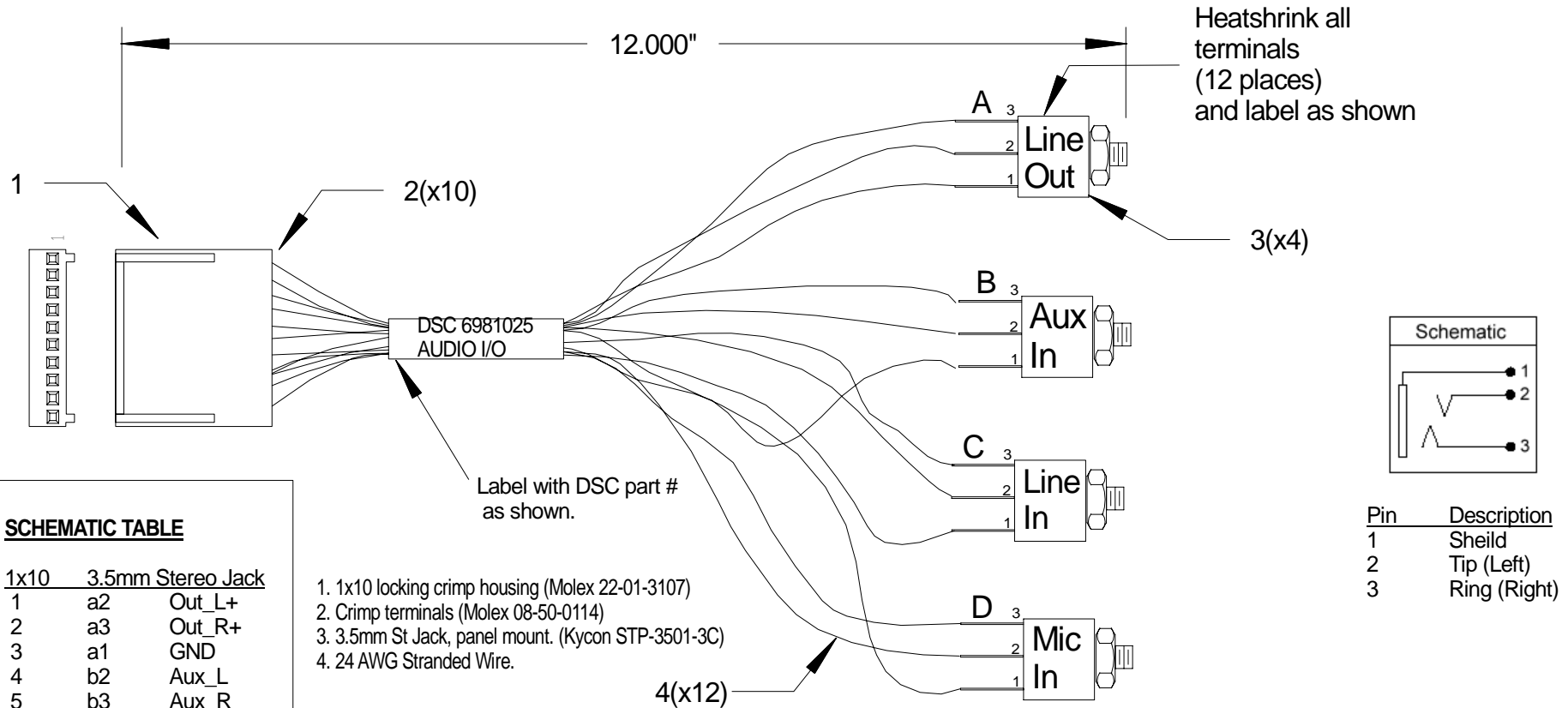


REVISIONS				
ZONE	REV	DESCRIPTION	DATE	APPROVED
	A	INITIAL RELEASE	07/20/06	M. THEIN

ALL COMPONENTS AND MATERIALS MUST BY RoHS COMPLIANT.



Pin	Description
1	Shield
2	Tip (Left)
3	Ring (Right)

SCHEMATIC TABLE

1x10	3.5mm Stereo Jack
1	a2 Out_L+
2	a3 Out_R+
3	a1 GND
4	b2 Aux_L
5	b3 Aux_R
6	c2 Line_L
7	c3 Line_R
8	b1,c1,d1 GND
9	d3 Mic_pwr
10	d2 Mic_sig

- 1x10 locking crimp housing (Molex 22-01-3107)
- Crimp terminals (Molex 08-50-0114)
- 3.5mm St Jack, panel mount. (Kycon STP-3501-3C)
- 24 AWG Stranded Wire.

Diamond Systems Corporation				
HERCULES AUDIO CABLE				
Not to scale	SIZE	FSCM NO.	DWG NO.	REV
	A		6981025	A
	SCALE		SHEET	