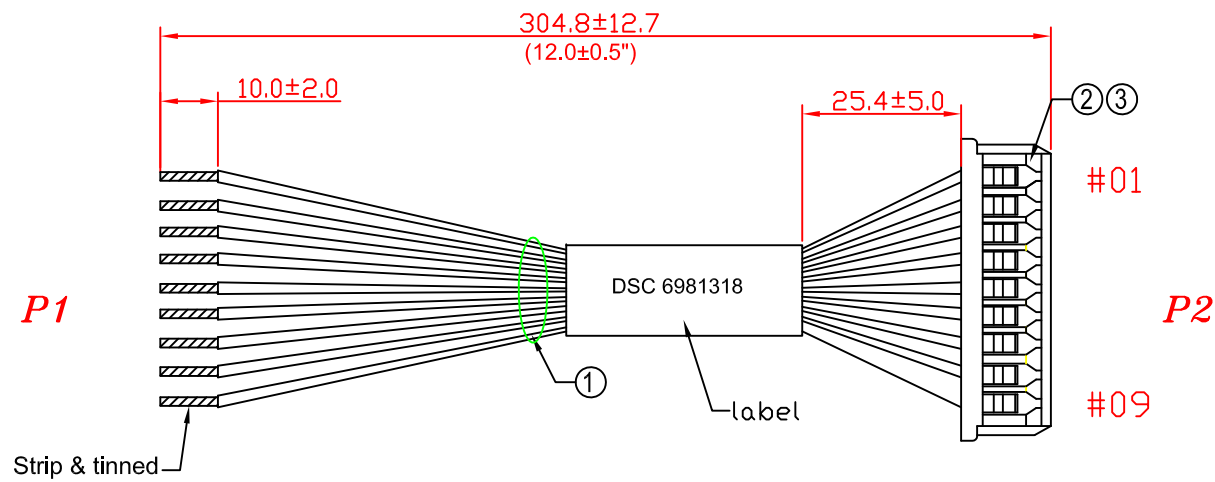


REVISIONS			
REV	DESCRIPTION	DATE	APPROVED
A		2012/09/14	



PIN OUT

P2	P1
1	RED
2	WHITE
3	GREEN
4	BLACK
5	YELLOW
6	RED
7	ORANGE
8	BLACK
9	PURPLE

Electrical Properties:



1. It should be no any open /short, miswiring and intermittent.
2. The cable should be 100% electrical test.
3. Voltage test: DC 300V 100ms.
Insulation resistance: 5.0M ohm/Min;
Conductance resistance: 5.0 ohm/Max.

Machinery Character:

1. All dimension are " mm/inch " except specified.
2. Package: TBD.
3. Cable ass'y shall be RoHS compliant and UL certified.
4. The cable should be clean, free of oiled/ flash/ burred.

APPROVED BY	
COMPANY:	_____
PURCHASING/ENGINEER:	_____
DATE:	_____

Item	DESCRIPTION	UNIT	QTY
3	Terminal : 1.25mm pitch(JWT P/N: A1251TOP-2)	PCS	9
2	Housing: 1.25mm pitch(JWT P/N: A1251H02-9P)	PCS	1
1	Wire: UL1061 26AWG(7/0.16mm), 80°C 300V, Color : red, black , white .	MM	

X ±	X° ±	NAME:	WINSTRONICS		
.X ±	.X° ±	W1			
.XX ±	.XX° ±	UNITS:	PART NO.:	TITLE:	
		MM	6981318	Utility 1.25mm conn to flying	
			Tom	DWG NO.:	
			2012/09/14	RFQ#DIA1111024-02W	
APPD BY	CHECK BY	DRAWN BY		SCALE	SHEET
				NONE	1/1
					REV. A