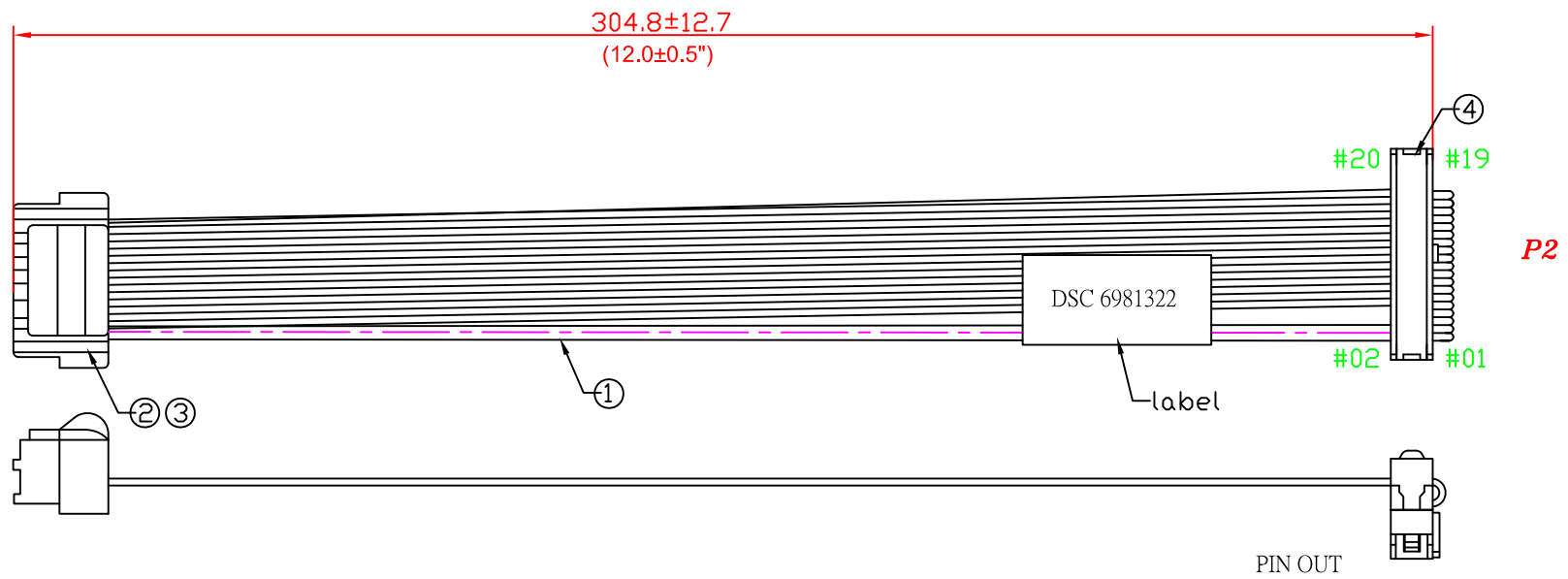


REVISIONS			
REV	DESCRIPTION	DATE	APPROVED
A		2011/11/09	



Electrical Properties:

1. It should be no any open /short, miswiring and intermittent.
2. The cable should be 100% electrical test.
3. Voltage test: DC 300V 100ms.
Insulation resistance: 5.0M ohm/Min;
Conductance resistance: 5.0 ohm/Max.


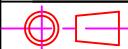
Machinery Character:

1. All dimension are " mm/inch " except specified.
2. Package: TBD.
3. Cable ass'y shall be RoHS compliant and UL certified.
4. The cable should be clean, free of oiled/ flash/ burred.

APPROVED BY	
COMPANY:	_____
PURCHASING/ENGINEER:	_____
DATE:	_____

P1		P2	
1	red	1	11
2		2	12
3		3	13
4		4	14
5		5	15
6		6	16
7		7	17
8		8	18
9		9	19
10		10	20

4	P2 conn: 2.00mm Pitch 10*2=20 Pin IDC socket with center key & SR .	EA	1
3	Terminal: 1.50mm pitch (JST P/N: SZPD-002T-P0.3)	EA	20
2	P1 Housing: 1.50mm pitch (JST P/N: ZPDR-20V-S)	EA	1
1	Cable : UL 2651 28AWG(7/0.127mm)*20C, 105°C 300V, Color: Gray , 1.00mm pitch .	FT	

	NAME: W1	WINSTRONICS PART NO.: 6981322 TITLE: PIC GPIO, 20P IDC	
	UNITS: MM		
APPD BY	CHECK BY	DRAWN BY	
			SCALE: NONE SHEET: 1/1 REV: A

Item	DESCRIPTION
1	
2	
3	
4	
5	
6	