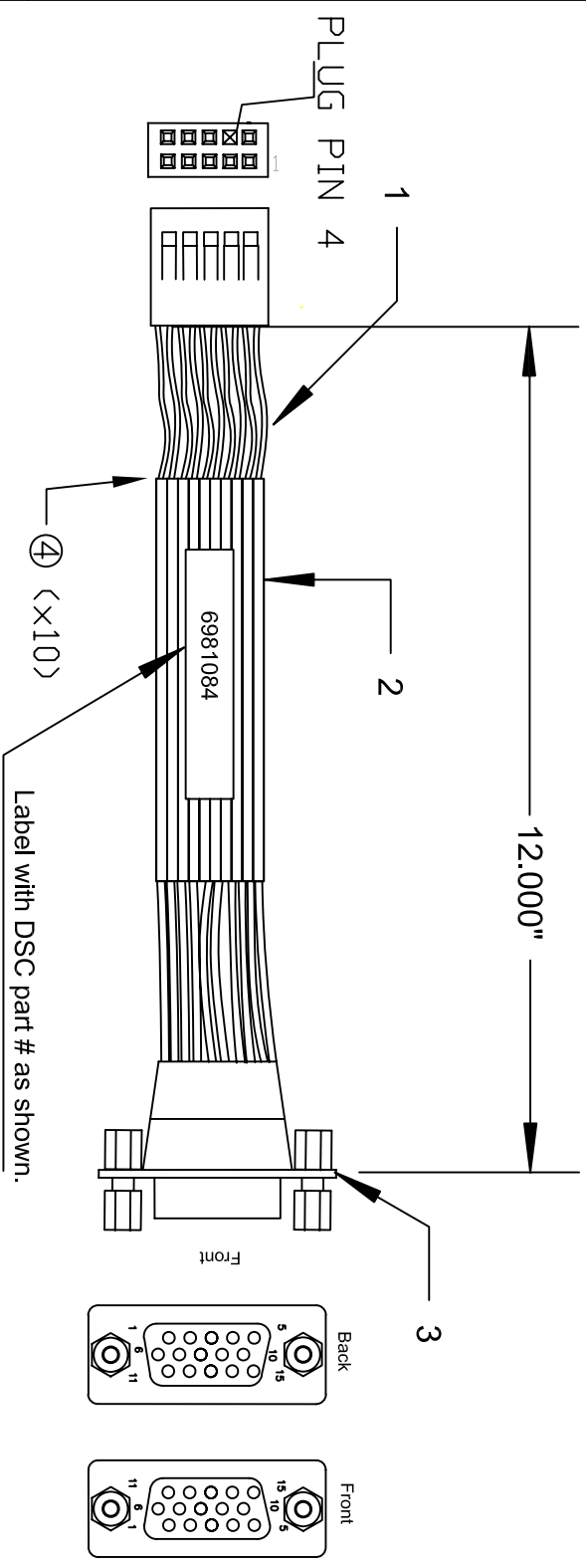


REVISIONS				
ZONE	REV	DESCRIPTION	DATE	APPROVED



1. 2x5, GRID WIRE TO BOARD (MOLEX 51110-1050)
2. 0.050" Ribbon cable, 10 conductor. (Hitachi 2807-10)
3. DB15, HD, Fem, w/4-40 threaded screwlocks and hex screws.
4. FEMALE CRIMP TERMINAL (MOLEX 50394-8100)
5. All components and materials should be RoHS compliant.

SCHEMATIC TABLE		
2x5	DB15	Desc
1	1	Red
2	6	R-GND
3	2	Green
5	3	Blue
6	7	G-GND
6	8	B-GND
7	13	Hsync
8	12	SDA
9	14	Vsync
10	15	SCL

Not to scale		Diamond Systems Corporation		
		Cable, VGA, 2mm to DD15F		
SIZE	FSCM. NO.	DWG. NO.	REV	
A		6981084	A	
SCALE		SHEET		